

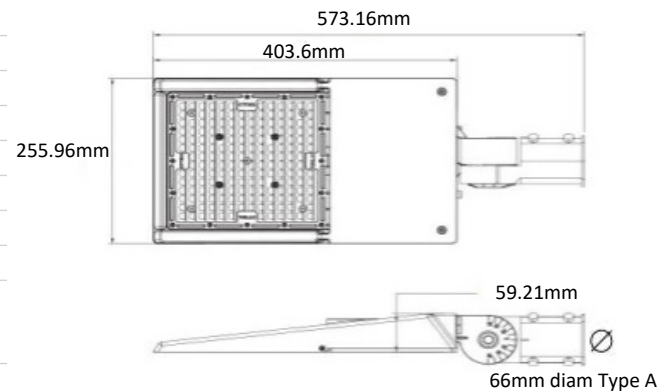


- Aesthetically pleasing versatile Area light.
- Integral driver with dimming & control options available.
- Motion detection & daylight sensor upon request.

Product Information

Part Number	ALK100
Delivered Lumens +/-5%	15000lm
Power	100W
UGR	n/a
IP Rating	IP66
IK Rating	IK09
IC rating	n/a
Warranty	3 Years
LED Type	SMD
CCT	3/4/5K CCT select
CRI	70, 80
Beam Angle	Type III, IV, V
Colour Stability (SDCM)	3 step Macadam Ellipse
Led Rated Lifetime L70 @25°	>100000hrs
Driver	Integral
Mains Supply	220-240V, 50/60Hz
Driver output Voltage	DC42V
Power Factor	0.09
LED Current (nominal)	2378mA
Operating Temperature	0-40°C
Body Material	Aluminium
Diffuser Material	Ploycarbonate
Product Finish	Powder coated
Colours	Black, Bronze, Silver, White
Total Weight	4.41kg

Dimensions



Optional mounting bracket types



Type A Type B Type C



Type D Type E Type F Type G