



- Aesthetically pleasing versatile Area light.
- Integral driver with dimming & control options available.
- Motion detection & daylight sensor upon request.

Product Information

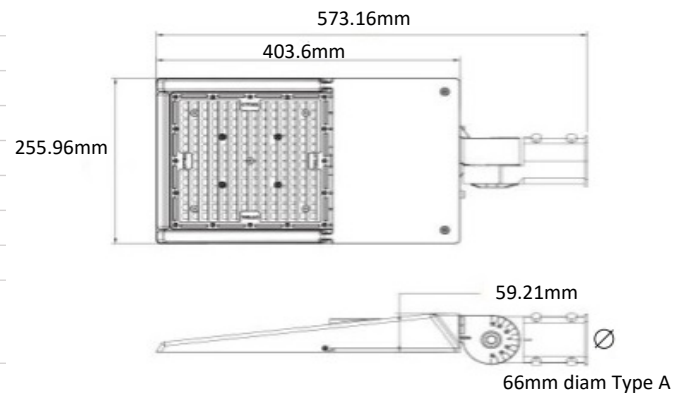
| | |
|------------------------|---------|
| Part Number | ALK30 |
| Delivered Lumens +/-5% | 4500lm |
| Power | 30W |
| UGR | n/a |
| IP Rating | IP66 |
| IK Rating | IK09 |
| IC rating | n/a |
| Warranty | 3 Years |

| | |
|-----------------------------|------------------------|
| LED Type | SMD |
| CCT | 3/4/5K CCT select |
| CRI | 70, 80 |
| Beam Angle | Type III, IV, V |
| Colour Stability (SDCM) | 3 step Macadam Ellipse |
| Led Rated Lifetime L70 @25° | >100000hrs |

| | |
|-----------------------|-------------------|
| Driver | Integral |
| Mains Supply | 220-240V, 50/60Hz |
| Driver output Voltage | DC52.2V |
| Power Factor | 0.09 |
| LED Current (nominal) | 490mA |
| Operating Temperature | 0-40°C |

| | |
|-------------------|------------------------------|
| Body Material | Aluminium |
| Diffuser Material | Ploycarbonate |
| Product Finish | Powder coated |
| Colours | Black, Bronze, Silver, White |
| Total Weight | 4.21kg |

Dimensions



Optional mounting bracket types

