



- Low glare deep reflector COB downlight.
- Remote flicker free driver with dimming & control options available.
- Reflector available in either matt or specular finish.

Product Information

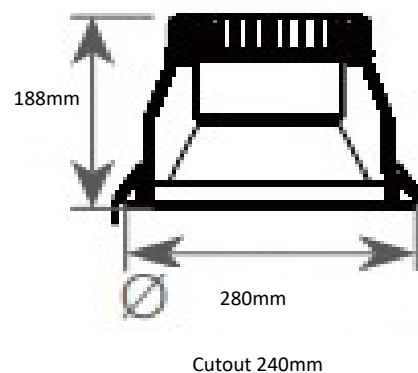
Part Number	DLB280-28W
Delivered Lumens +/-5%	2900lm
Power	28W
UGR	<17
IP Rating	IP44 front face
IK Rating	n/a
IC rating	n/a
Warranty	3 Years

LED Type	COB
CCT	2.7/3/4/5K/6K CCT
CRI	90
Beam Angle	25°, 32° and 40°
Colour Stability (SDCM)	3 step Macadam Ellipse
Led Rated Lifetime L70 @25°	>50000hrs

Driver	Remote
Mains Supply	220-240V, 50/60Hz
Driver output Voltage	DC36V
Power Factor	0.09
LED Current (nominal)	700mA
Operating Temperature	0-40°C

Body Material	Aluminium
Diffuser Material	Polycarbonate
Product Finish	Powder coated
Colours	White, Black
Total Weight	1.08kg

Dimensions



Size range from 170-280mm diameter

