



The RETRO Premium Batten has a wide body, with a square sided profile, making it easy to conceal previous mounting or markings when performing maintenance.

- Flat end cap for easy end to end mounting.
- Large terminal block.
- Movement sensors available as standard option:  
Add "-MS" to the code for Motion Sensor On/Off  
Add "-SD" to the code for Step Dim On/Off/Dim 20%

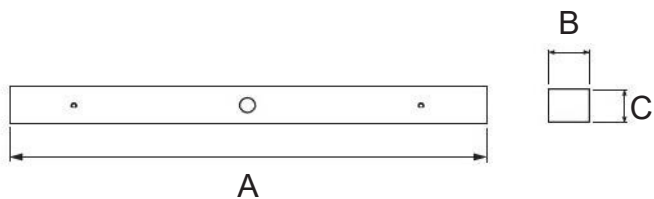
## Specifications

|                               |                    |   |           |   |           |
|-------------------------------|--------------------|---|-----------|---|-----------|
| Part Number                   | BL20-600           | / | BL20-1200 | / | BL40-1200 |
| Length                        | 600mm              | / | 1200mm    | / | 1200mm    |
| System Power                  | 20W                | / | 20W       | / | 40W       |
| Exit Lumens $\pm 5\%$ (4000K) | 2420lm             | / | 2440lm    | / | 4240lm    |
| Weight (KG)                   | 1.6                | / | 3.1       | / | 3.2       |
| IP Rating                     | IP20               |   |           |   |           |
| IK Rating                     | IK02               |   |           |   |           |
| CCT Options                   | 4000K              |   |           |   |           |
| CRI                           | $\geq 80$          |   |           |   |           |
| Input Voltage                 | AC220-240V         |   |           |   |           |
| Frequency                     | 50/60Hz            |   |           |   |           |
| Motion Sensor                 | Available On/Off   |   |           |   |           |
| Step Dimming                  | Available 20%/100% |   |           |   |           |
| Warranty**                    | 3 Years            |   |           |   |           |
| Lifetime                      | >100,000 Hours     |   |           |   |           |

Technical specifications are subject to change without notice. For more information  
[info@powercraftelec.com.au](mailto:info@powercraftelec.com.au)

\*\*See PowerCraft Warranty Statement for full details

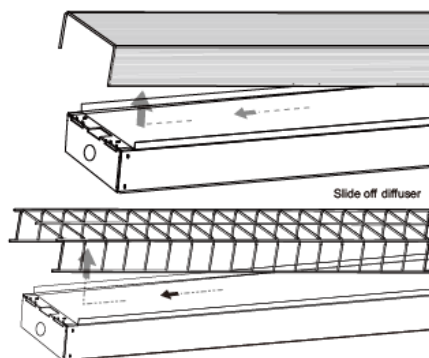
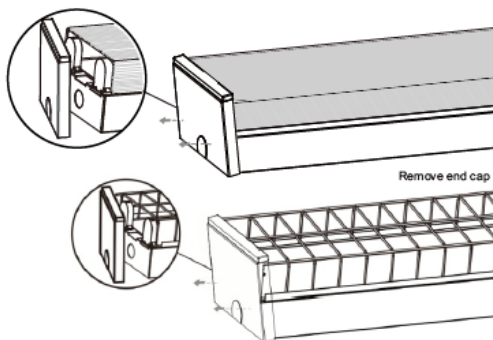
## Dimensions



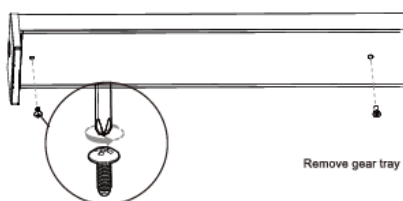
|                           |  |
|---------------------------|--|
| Part Number               | BL20-600 / BL20-1200 / BL40-1200       |
| Dimensions (A x B x C cm) | 622x124x91 / 1230x124x91 / 1230x124x91 |

## Installation

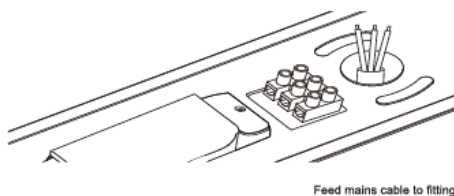
### 1. Remove End-cap & Diffuser/Wire-guard



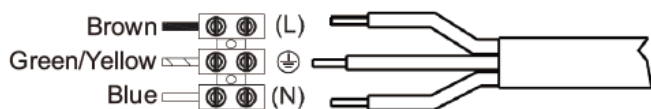
### 2. Unfasten screw & remove the geartray



### 3. Feed main cable into fitting



### 4. Connect main supply wire



**NOTE:** Make sure Green/Yellow wire must be longer than Brown(L) and Blue(N)

## Product Images

