

EDEN RECESSED DOWNLIGHT DLED186-LP-20W

PowerCraft
AUSTRALIA



- Robust IP65 COB down light with structural waterproof housing.
- Integral driver with dimming & control options available.
- 316 stainless steel front cover, screws & mounting spring.

Product Information

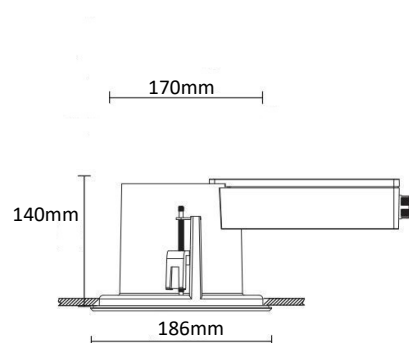
Part Number	DLED186-LP-20W
Delivered Lumens +/-5%	1687lm 3K
Power	20W
UGR	n/a
IP Rating	IP65
IK Rating	IK08
IC rating	n/a
Warranty	3 Years

LED Type	COB
CCT	2.7/3/4/5K
CRI	80
Beam Angle	15°, 24°, 36° and 50°
Colour Stability (SDCM)	3 step Macadam Ellipse
Led Rated Lifetime L70 @25°	>50000hrs

Driver	Integral
Mains Supply	220-240V, 50/60Hz
Driver output Voltage	DC30-40V
Power Factor	0.09
LED Current (nominal)	500mA
Operating Temperature	0-40°C

Body Material	Aluminium
Diffuser Material	Toughened Glass
Product Finish	Powder coated
Colours	stainless steel
Total Weight	2.8kg

Dimensions



Cutout 170mm

Detachable waterproof housing

