



- Surface mount Jumbo exit with 40m viewing distance.
- LiFePO4 battery with 3 year warranty.
- Also available in IP65 version.

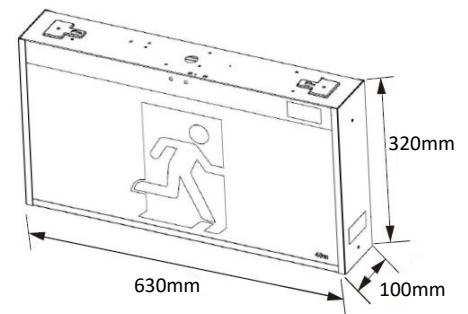
Product Information

Part Number	EXJ-40M
Viewing Distance	40M
Power Consumption	7.5W
Operating Mode	Maintained
Rated Duration	3 hours
IP Rating	IP20
Warranty	3 Years inc battery
LED Type	SMD 50000hrs

Mains Supply	220-240V, 50/60Hz
Charging Method	Regulated variable rate
Battery	LiFePO4
Voltage (V) / Capacity (Ah)	3.6V 2.5Ah
Operating Temperature	0-40°C

Body Material	Steel powdercoated
Diffuser Material	Acrylic
Colour	White
Total Weight	3.6kg

Dimensions



Complete set of decals

