



- Low glare COB down light with spectral reflector.
- Remote flicker free driver with dimming & control options available.
- Full range of sizes and options available in product family.

## Product Information

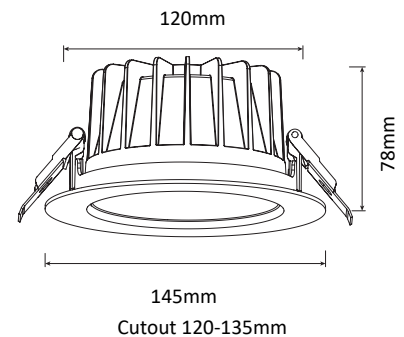
Part Number	DLO145-25W
Delivered Lumens +/-5%	2750lm
Power	25W
UGR	<19
IP Rating	IP54 front face
IK Rating	n/a
IC rating	n/a
Warranty	3 Years

LED Type	COB
CCT	3/4/5K CCT select
CRI	80, 90, 97
Beam Angle	24°, 36° and 60°
Colour Stability (SDCM)	5 step Macadam Ellipse
Led Rated Lifetime L70 @25°	>50000hrs

Driver	Remote
Mains Supply	220-240V, 50/60Hz
Driver output Voltage	DC23-40V
Power Factor	0.09
LED Current (nominal)	600mA
Operating Temperature	0-40°C

Body Material	Aluminium
Diffuser Material	Polycarbonate
Product Finish	Powder coated
Colours	White, Black
Total Weight	0.48kg

## Dimensions



## Reflector Options



Bright silver  
reflector UGR19



Matt silver  
reflector UGR25



White reflector  
UGR25



Black reflector  
UGR25