



- Low glare IP65 COB down light with spectral reflector.
- Remote flicker free driver with dimming & control options available.
- Full range of sizes and options available in product family.

Product Information

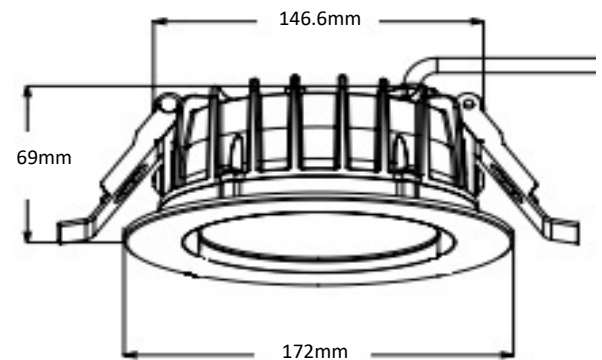
Part Number	DLO172-25W-IP65
Delivered Lumens +/-5%	2750lm
Power	25W
UGR	19
IP Rating	IP65
IK Rating	IK08
IC rating	n/a
Warranty	3 Years

LED Type	COB
CCT	2.7/3/4/5K CCT
CRI	80
Beam Angle	24°, 38° and 60°
Colour Stability (SDCM)	6 step Macadam Ellipse
Led Rated Lifetime L70 @25°	>50000hrs

Driver	Remote
Mains Supply	220-240V, 50/60Hz
Driver output Voltage	DC33-38V
Power Factor	0.09
LED Current (nominal)	650mA
Operating Temperature	0-40°C

Body Material	Aluminium
Diffuser Material	Tempered glass
Product Finish	Powder coated
Colours	White
Total Weight	0.79kg

Dimensions



Cutout 150-165mm