

VANDAL PROOF IP66 LED EMERGENCY BATTEN BVP40EM-1200

PowerCraft
AUSTRALIA



- Tough vandal proof IP66 emergency LED batten.
- Integral driver with dimming & control options available.
- Torx security screws
- Motion sensor options available.

Product Information

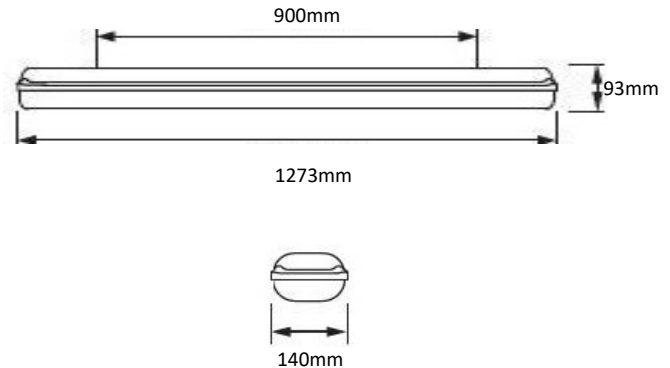
Part Number	BVP40EM-1200
Delivered Lumens +/-5%	4640lm
Power	40W
UGR	n/a
IP Rating	IP66
IK Rating	IK10
IC rating	n/a
Warranty	3 Years

LED Type	SMD
CCT	4K
CRI	80
Beam Angle	120°
Colour Stability (SDCM)	5 step Macadam Ellipse
Led Rated Lifetime L70 @25°	>100000hrs

Driver	Integral
Mains Supply	220-240V, 50/60Hz
Driver output Voltage	DC36V
Power Factor	0.09
LED Current (nominal)	750mA
Operating Temperature	0-40°C

Body Material	Diecast aluminium
Diffuser Material	Polycarbonate
Product Finish	Powder coated
Colours	Grey
Total Weight	4.5kg

Dimensions



Operating mode Maintained
Battery NiCd

Luminaire Classification	2.1m	2.4m	2.7m	3.0m	3.3m	3.6m	4.0m	4.5m	5.0m
C0 - D50	11.5	13.2	14.8	16.5	18.1	19.8	21.8	22.5	23.1
C90 - D32	11.5	13.2	14.8	16.5	17.6	18	18.5	19	19.5

Sensor options BVP40EM-1200- MS motion sensor on/off
BVP40EM-1200-SD step dim 100/20%

Microwave motion sensor MC076S

